

**SR 60**

Y a c h t T e n d e r s

---

**Windy**  
SPIRIT OF SCANDINAVIA



# HISTORY AND LEGACY



**WINDY** was established in 1966 by Hugo Vold. His father was a fisherman, and his family had many anxious moments awaiting his return as storms raged in the Skagerrak. All his father's boats were called 'Vindy', and he brought every one of them safely back to port. Vold shared his father's love of, and deep respect for, the sea.

Following his university education he became a boat builder. He wanted his vessels to be known for their seaworthiness and high quality, and he called his company 'Windy' in honour of his father's sturdy fishing vessels. At a time when Scandinavian producers ruled the European market, revolutionising boating and showing millions how to have fun on the water, Vold hired the best designers, sought out the finest boat builders and craftsmen and not only created a world-beating brand, but succeeded in turning the Windy name into a marque of quality. 57 years on, Windy Boats is proud to live according to Vold's legacy, and to build production and custom boats which are acknowledged throughout the world as second to none.

*Windy*

# UNRIVALLED SCANDINAVIAN QUALITY

When Windy Boats was established in 1966 our first sports boats set new standards for performance and craftsmanship. More than 57 years on, we're still driven by the urge to be the best.

All Windy Boats bear the hallmark of quality without compromise, drawing on five decades of boat building excellence, and centuries of Scandinavian seafaring heritage. Put simply, we build better boats because we are Windy. It is in our DNA.





## PRECISION ENGINEERED, HAND FINISHED

Windy's reputation is built on quality and craftsmanship. Our award-winning deep v-hulls are renowned for delivering an exhilarating, yet stable and dry ride. Our production facilities in Västervik, Ostroda and Slupsk are among the most advanced in Europe, employing resin transfer moulding to produce stronger, lighter, more fuel-efficient hulls. Distinctive interiors by leading superyacht designers combine clean Scandinavian lines with luxurious detailing. And every boat is hand-finished with Windy's customary perfectionism using the highest quality components and finest materials. For Windy customers, only the best will do.



# SPIRIT OF SCANDINAVIA

## - RECOGNIZED WORLDWIDE

When WINDY was established in 1966, the philosophy of the company was to build and deliver the "best built boats in the world". Ambitious yes and since then we have delivered over 12 000 of our Sports Series boats to discriminating boat enthusiasts all over the world. The name WINDY has become synonymous with this philosophy.

Never losing our focus on quality and attention to detail has given us the status of "niche builder" amongst admirers in our industry setting a bench mark of style and performance. When we were contracted to develop, build and deliver the WINDY Dubois SR52 Blackbird to one of the world's largest Sail Boats, we quickly realized how perfect our skills and state of mind matched the demands of Super Yacht Owners.

Today now we have a complete line of SR Series boats stretching from SR26 up to our new Flagship the SLR/SR 60. Our range can be seen as Chase Boats and Tenders to some of the finest and highest profile Super Yachts that sail the Oceans of the world.

During our journey we have also delivered many fully Custom tenders both Open and Limousine always working with the world's greatest designers and craftsmen. Our main production facility in Västervik on the East Coast of Sweden is one of the most efficient and competitive in Europe and where our HQ houses our Engineering and Management Team.

In the coming years now we will continue our development with exciting new projects and maintain our position at the forefront of innovation and technology on the water. Thank you for taking the time to read about our achievements and future goals. We are very proud to be able to put the WINDY name on all our products and hope you will be as proud as we are!

Yours sincerely,  
Trevor Fenlon







## THE WINDY FLAGSHIP

Windy's philosophy has always been to design and build boats that set a new benchmark of style and performance. Working only with the world's greatest designers and craftsmen, drawing on their passion and skill, Windy has been able to build a name and a product that is envied by many. The commission of the Windy SR52 Blackbird provided the first opportunity for Windy to partner with designers and naval architects external to the company. The SR52 Blackbird opened up a new world for Windy, introducing the brand to the superyacht sector as the builder of the world's finest chaseboat, and Malcolm McKeon was intrinsic to the design of that model. We are incredibly excited to be working with him again.





WINDY SLR/SR 60 is a powerful 60ft chaseboat with a strong personality and clear dual purpose. It is the first boat to bring together Norwegian powerboat builder Windy with Malcolm McKeon Yacht Design. With a range of 800 nautical miles at 25 knots, the Windy SLR/SR 60 has been designed to be the ultimate superyacht chaseboat for long distance excursions. However, it will also serve as a very nimble sports boat for diving and fishing, as well as support shoreside exploration. This contemporary and elegant design is fitted with a large swim platform aft of the luxurious guest area and bar, making it a very attractive vessel for socialising and enjoying relaxing times on the water.







## SECOND TO NONE

The first vessel has been commissioned by an experienced superyacht owner and has been designed to meet their stringent requirements. The SLR/SR 60 features detailed design accents that mirror those of her superyacht mothership. Following delivery of this first SLR/SR 60, Windy Scandinavia AB is looking forward to the design going into production at the Windy yard in Sweden, making it the largest Windy available and establishing the 60-footer as the company's flagship.

As you would expect of a high-performance chaseboat from Windy, the SLR/SR 60 will be able to traverse unprotected and open passages of water with ease. The full-height windscreen provides protection at high speed for those in the forward-facing seats and an increased fuel capacity, compared to other boats of her size, equips this luxury tender with an exceptionally long range of 850 nautical miles at 25 knots. Exhilarating to drive, this incredibly responsive vessel offers impressive acceleration and handling at speed.







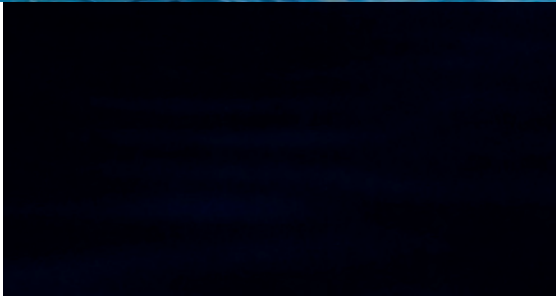


## NEXT EVOLUTION OF THE AWARD WINNING SR60

From Autumn 2023 the SR / SLR60 will be available with sliding doors enclosing the helm position for clients who wish to travel even to the harshest climates. The front and aft doors will slide behind the fixed centre panel hence allowing to use also this variant of the SR60 as an open boat. To further preserve that feeling and to retain the highest level of comfort and luxury the sliding mechanism will be recessed leaving the deck with no threshold or height differences.

















# THE INTERIOR

The SR60's interior is designed to the highest level of luxury and comfort possible on a 60ft chaseboat. Natural woods such as dark ash and european light oak in combination with high gloss lacquered anthracite details blend in timelessly with real carbon fibre benchtops throughout the living areas and dayhead.



A small galley on portside with fridge and other commodities is perfect for the preparation of drinks or small meals.



The forward cabin allows for a height adjustable table to turn the sofa into a double bed, the aft cabin can sleep one or two, depending on whether the SR or SLR version is chosen.





The dayhead features a separate, full size shower and all necessities to freshen up throughout the day or liveaboard use.



# SR 60



**2022**  
**WORLD YACHTS**  
**TROPHIES**  
21<sup>st</sup> edition









## PERFORMANCE

The SR 60 is proud to be powered by Volvo Penta. The deep-V hull that is synonymous with Windy Boats is designed to tackle the toughest of Scandinavian sea conditions and get the best from the ever-willing Volvo Penta engines.

**VOLVO  
PENTA**

SR 60 offers the speed you associate with smaller boats whilst providing the comfort of bigger boats.

With a wide range of diesel and petrol engine options, the SR 60 is capable of speeds in excess of 43 knots.





# LAYOUT

The generous cockpit seating area makes the SR 60 superb all-rounder, allowing you to entertain on a nice day out whilst having all the amenities for an extended stay.















**To experience** life on the sea to the fullest the SR60 is now available with massive 20ft / 6m folding bulwark doors turning the cockpit of the boat into one huge beach area. In combination with a submersible platform to facilitate access into the water, which is also even enough to lift a tender or jet ski, this setup is every water enthusiast's dream.





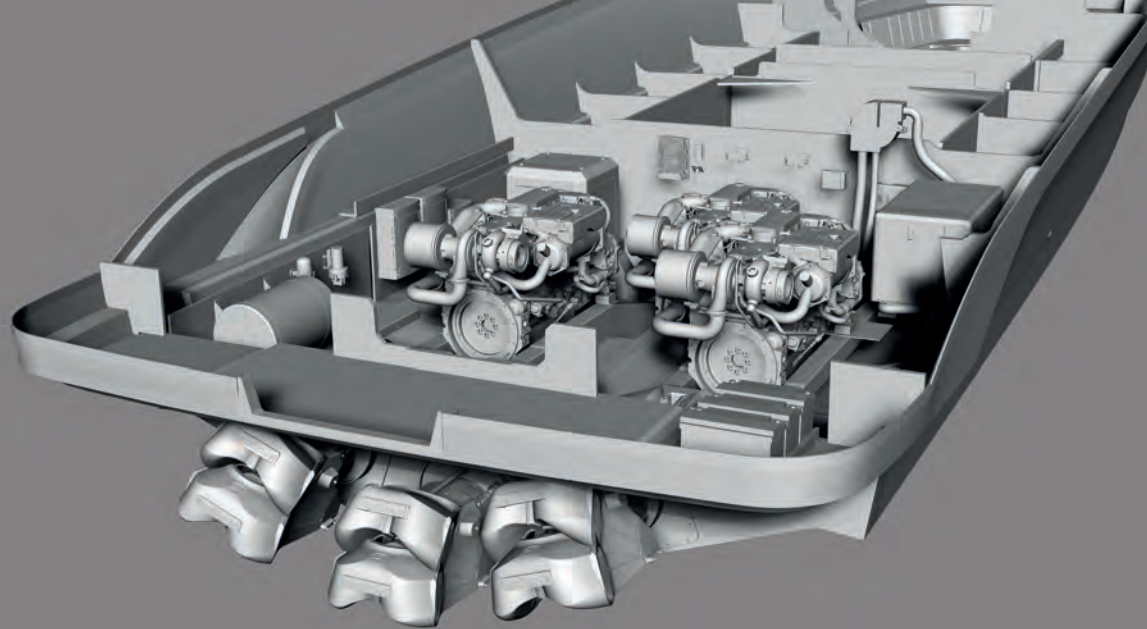


## MALCOLM MCKEON

"We are delighted to be working with Windy on this high-profile project and this collaborative opportunity is very special to me. Windy is a strong international brand and Malcolm McKeon Yacht Design are proud to be associated with them."

Malcolm McKeon





## **VERSATILITY**

SLR60 will be available from summer 2023 with water-jet option of propulsion. The choice between triple Hamilton or Kamewa jets allows beaching and access to shallow beaches as well as allowing towing this perfect chaseboat behind the mothership over long passages.





# SPECIFICATION SR 60

A wide variety of options will be offered together with a Customization Program for individual taste.

## CONSTRUCTION

- All GRP components are built in vacuum infused vinylester with carbon fibre strengthening. High-tech laminate specification (WIN-TECH).
- Hull and deck/ t-top are lacquered in Awlcraft SE - colour to be specified by the principal.
- Option for the hull to be antifouled - colour to be specified by the principal.
- Teak laid decking to the cockpit and bathing platform.

## PROPULSION & STEERING

- Independent IPS pod coupled with each engine.
- Electronic steering enables features such as Joystick docking system and DPS.
- Engine room ventilation extractors.
- Bow thruster - Sidepower SE 100 or equivalent.
- Humphree X900 interceptors with auto trim as standard.
- Option of auto list and coordinated turn features for the Humphree system.

## MACHINERY

- 3 x Volvo IPS 650 engines with Joystick control.
- 3x Volvo D6 480 - Kamewa Water Jets S25-3/CA
- 3x Cummins QSB 6.7 - Hamilton Water Jets HXJ29
- Electronic Vessel control (EVC) - integrates engines, electronics and EVC features with glass cockpit.
- Electronic shift and throttle as standard.
- Low speed control as standard.
- Option of Autopilot linked to Joystick.
- Option of Dynamic positioning system.
- Support for Easy connect APP.

- Maintenance assist with service alert.
- Engine room ventilation extractors.
- Thermo acoustic insulation.
- Volvo Penta ACP system.
- Fire suppression system in the engine room.
- Electrically operated engine hatch
- Option of gyro stabiliser.

## HEATING & VENTILATION

- Air conditioning system: 16,000 BTU.

## ELECTRICAL SYSTEMS

- Hybrid analogue/ digital electrical system.
- Engine AGM batteries.
- Service AGM batteries 200AH.
- Generator AGM battery. VHF AGM battery. Lithium batteries as option.
- Inverter combi Victron Quatro 24v 3KW 70A
- Onan 7KW generator. (9.5kW option)
- 32A shore power system with deck connection and cable.
- Lithium battery optional
- 1 x Volvo Penta 17' Glass cockpit screen.
- Optional upgrade to two or three screen set up
- Option of Volvo Penta autopilot.
- Garmin Radar GRM24XHD.
- Garmin VHF 315i.
- Garmin AIS800 transceiver.
- Garmin GSD24 Echo sounder.
- Option of FLIR night vision camera.
- Option of search light.
- Option of camera in the engine room.

## ENTERTAINMENT SYSTEMS

- Fusion Apollo with 4 x 7.7" Speakers
- Optional 8 x 7.7" Speakers & 4 x 10" Subwoofers

## ANCHORING & MOORING EQUIPMENT

- Anchor launching system with gas struts.
- Anchor in stainless steel - 32 kg and 1 00m of stainless-steel chain.
- Reversible anchor winch - can be operated from foredeck and from the helm station.
- Chain locker.

## PLUMBING SYSTEMS

- Auto-Bilge pumps SPX or equivalent with level sensor.
- Fuel tank capacity: 4250 litres.
- Fuel valves with safety cut offs at the helm.
- Water tank capacity: 400 litres.
- Fresh water pump with expansion tank
- Hot water calorifier: 60 litres
- Grey/Blackwater holding tanks (115L)
- Deck side discharge point for the holding tank.
- Watermaker optional (60l/hr)

## HEAD & SHOWER COMPARTMENT

- Wash basin with tap & shower - hot/ cold water
- Electric Head
- Seperate shower with grating
- Tooth brush/ glass holders/ towel hooks
- Overhead & mirrored vanity lockers
- Opening port light.
- Socket for 220v - shaver/ hairdryer.
- Extractor fan.



### ACCOMMODATION

- Fwd sofa seating area with skylights and windows
- Mid cabin bed with option of larger mid cabin
- Galley with corian worktop

### DECK LAYOUT

- Large foredeck area - option of foredeck sun pad.
- Safe walk around side decks.
- Handrail on inside of helm console.
- Foredeck lazarette.
- Deployable anchor system.
- Bow seating area.
- Ergonomic helm console with navigation equipment and custom pilot chairs.
- Helm and cockpit galley protected by t-top.
- Large cockpit storage / tech area below wetbar.
- Social seating area positioned centrally
  - with large table.
- Large aft sun pad with integral storage.
- Option of forward and aft bimini sunshades with carbon poles.

### DECK EQUIPMENT

- All fittings crafted and cast from high grade stainless steel.
- Dedicated fender storage.
- 8x Nomen cleats.
- Stainless steel flag pole.
- Option of carbon fiber flag pole.
- Towing point in the bow.
- Forward and aft positions for freshwater deck wash.
- Option of Water ski pole.
- Carbon Bathing ladder.
- Handcrafted cockpit table in fine wood.
- Stainless steel deck gates.
- Game fishing rod holders.
- Bathing platform shower with hot and cold water.
- Navigation lights (LED Lopo).
- Engine room lights.
- Under water lights.
- Deck courtesy lights.

### HELM POSITION

- Ergonomic helm position.
- Nextel ant-glare dashboard.
- Windy SR sports steering wheel.
- Compass.

### COCKPIT GALLEY

- Electric grill.
- Option of ice maker.
- Microwave with grill as standard.
- Sink with hot and cold tap.
- Rubbish bin.
- Storage and drawers.
- Top stowing cold storage.

### CUSHIONS, COVERS & CANVAS

- The final specification of the cockpit upholstery will be defined by the principal.
- Choice of upholstery options from/ silvertex.



## OVERVIEW SR 60

---

|                  |                         |
|------------------|-------------------------|
| Length Over All: | 18.15m                  |
| Beam:            | 4.53m                   |
| Height:          | 4.84m                   |
| Draft:           | 1.29m                   |
| Weight:          | 15.5 t Light ship       |
| Material:        | Resin infused GRP       |
| Engines:         | 3 x Volvo Penta IPS 650 |
| Speed:           | Approx. 40-43 knots*    |
| Berths:          | 3 (SLR60)<br>4 (SR60)   |

|                              |   |
|------------------------------|---|
| CE:                          | Cat B   |
| Pers:                        | 12 + 2  |
| Fuel capacity:               | 4250 Litres (SLR60)<br>2700 Litres (SR60)                       |
| Fresh water capacity:        | 460 Litres  |
| Range:                       | Approx. 800nm @ 25kts (SLR60)*<br>Approx. 500nm @ 25kts (SR60)* |
| Design & naval architecture: | Malcolm McKeon Yacht Design Ltd                                 |

Engineering Commercial Vessel Registration 'SCV' compliant upon request.  
\* Subject to selected options, load and sea conditions

## WATER JET OPTIONS SLR 60

---

3 x Volvo D6 480 - Kamewa Jets S25-3/CA  
3 x Cummins QSB 6.7 - Hamilton HXJ29







FIRST FOR  
QUALITY  
SINCE 1966



SECOND TO NONE



WINDY SCANDINAVIA AB • SÖDRA VARVSGATAN 27 • 593 50 VÄSTERVIK • SWEDEN  
TEL.: +46 490 258 850 • [contact@windyboats.com](mailto:contact@windyboats.com) • [www.windyboats.com](http://www.windyboats.com)